

## GMJH Handle (Interchangeable Caps)

### Features

- Handle can be installed from both front and back
- Cap hides screw heads for clean appearance
- 3 colour cap options
- Rounded inside allows for easy gripping
- Caps are tightly fixed to prevent from falling off
- Custom cap colours available on request (MOQ apply)
- **GMJH-150** is compliant with SEMI standard (SEMI S8-0308)

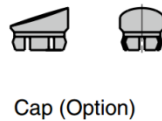
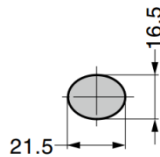
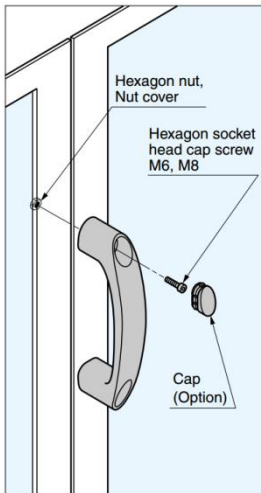
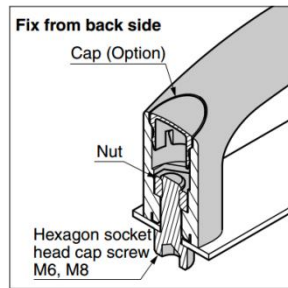
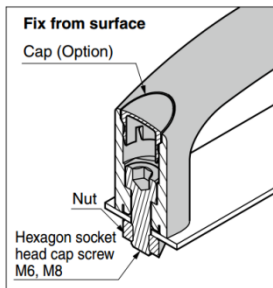
### Notes

- Only hexagon socket head cap screws are applicable
- Caps are sold separately, and sold by piece

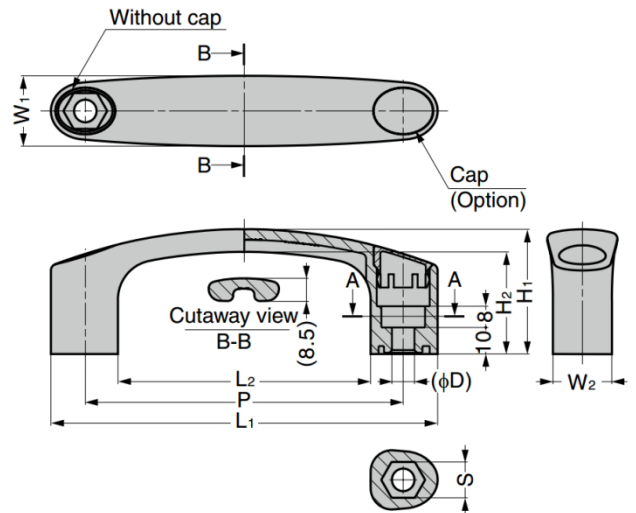
### Recommended Screws

- **GMJH-93**: Hexagon socket head cap screw M6
- **GMJH-120, GMJH-150**: Hexagon socket head cap screw M8

### Installation



Cap (Option)



### Body

Part No.	Material	Finish	P	L <sub>1</sub>	L <sub>2</sub>	D	S	H <sub>1</sub>	H <sub>2</sub>	W <sub>1</sub>	W <sub>2</sub>	Load Capacity
<b>GMJH-93</b>	Reinforced Nylon	Black	93	119	67	6.5	10.2	42	33.5	25	21.3	450 N 46 kg
<b>GMJH-120</b>			120	146	94	8.5	13.2	47	38.5	26.5	22.4	
<b>GMJH-150</b>			150	176	124	52	43.5	28	22.5			

### Caps (Sold Separately)

Part No.	Material	Colour
<b>GMJHC-BL</b>	Reinforced Nylon	Black
<b>GMJHC-GR</b>		Grey
<b>GMJHC-YE</b>		Yellow

